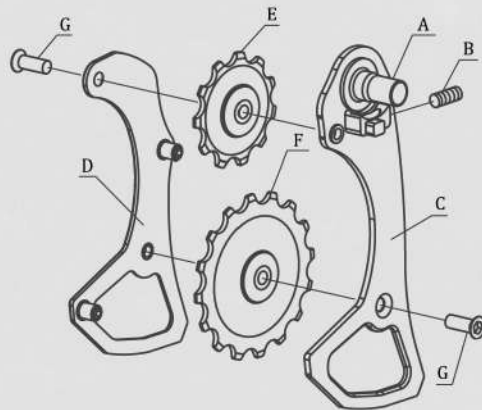




Campagnolo
PULLEY Wheel Kit
Installation instruction




Location of parts

- | | |
|--------------------|----------------------|
| A Cage pivot | E Upper pulley wheel |
| B Cage stop screw | F Lower pulley wheel |
| C Back cage plate | G Pulley bolt |
| D Front cage plate | |

STEP 1



Remove original pulley wheels kit

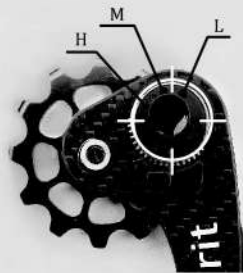
1. Release fixing bolt from the  mark shows in the figure.
2. Remove the screw and pulley wheel
3. Remove the C-ring, and remove the original pulley kit.

STEP 2



Dis-assemble Digirit Pulley wheel kit

STEP 3



Mount the spring ring on the body as the mark shows in the figure .

Fix the coil spring at H or L to determine spring force.

At L, chain tension will be reduced and will be also result in slightly compromised shifting performance.

At H, tension setting provides the best in shifting performance, yet it will increase friction slightly.

STEP 4

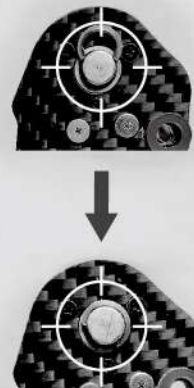


Mount the kit to the Spring Ring hole

Recommendation:

- M & L for mechanical shifting system
- H & M for electronic shifting system

STEP 5



Fix the shaft by using C-ring



Screw Spring bolt and pulley bolt back

Use a Allen key to install pulley wheel bolts at less than 1 Nm.